



Humidity / Temperature Transmitter

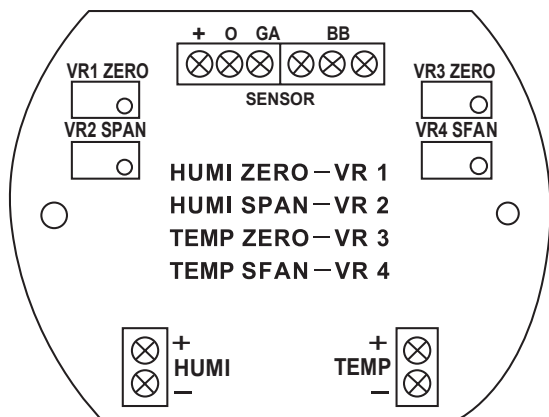
TRH-300 series⁽²⁾

■ Ordering Information Please advise the specificatoion based on your individual needs.

Model No.	Descriptions	
TRH-301	Temperature transmitter	
TRH-302	Humidity transmitter	
TRH-303	Temperature / Humidity transmitter	
TRH-300DF	1/2" NPT male connection for high pressure use	
Shape(Mounting Type)	W	Wall mount type
	D	Duct mount type
	S	Sensor separated type
	DF	1/2"NPT male connection for high pressure use
Output	A	Current output : 4~20mA
	V	Voltage output : 0~1V, 0~5V, 0~10V, 1~5V

[Example] TRH-303WA: Temperature and Humidity transmitter, Wall mount type, Current output.

■ On-Site Calibration & Wiring



Humidity Calibration :

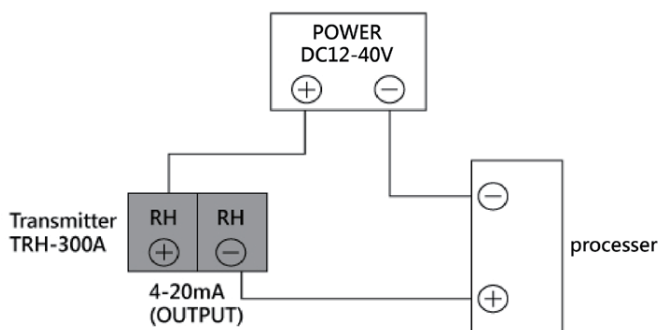
VR 1ZERO Humidity
 VR 2SPAN Humidity

Temperature Calibration :

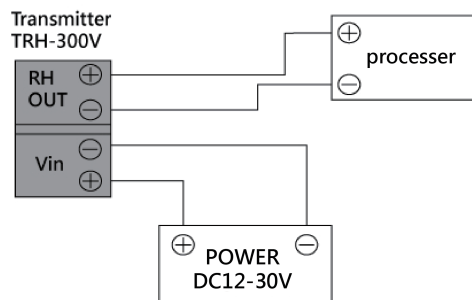
VR 3ZERO Temperature
 VR 4SPAN Temperature

■ Connecting Diagram

TRH-300A Current output type



TRH-300V Voltage output type



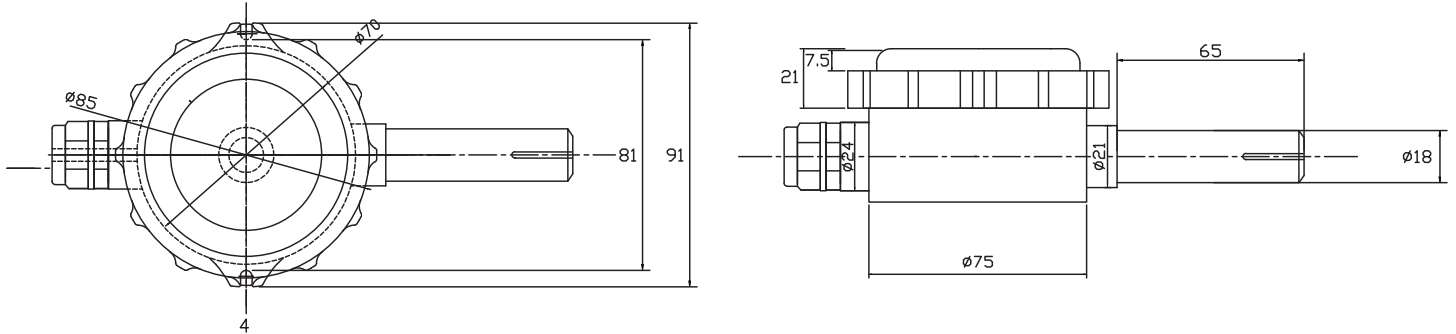


Humidity / Temperature Transmitter

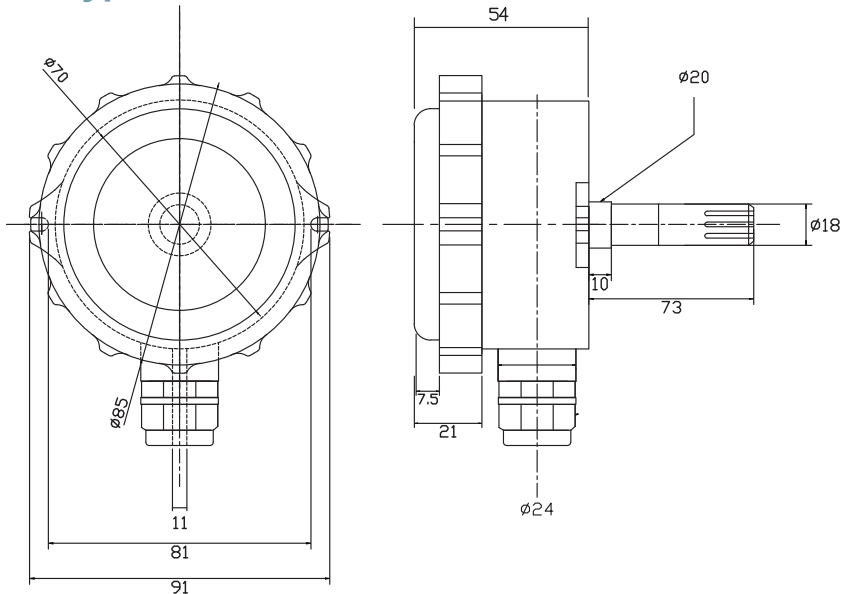
TRH-300 series(3)

External Dimensions(mm)

W Type



D Type



DF_Long

